

Model:
TUC-44-HC

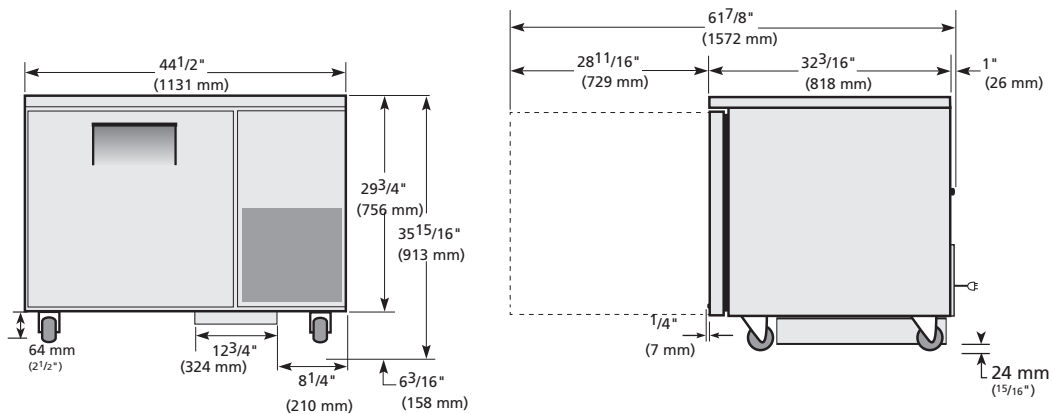
Deep Undercounter:
Solid Door Refrigerator with Hydrocarbon Refrigerant

TUC-44-HC

- ▶ True's undercounter units are designed with enduring quality that protects your long term investment.
- ▶ Factory engineered system using environmentally friendly R290 hydro carbon refrigerant maintains temperature of 0.5°C to 3.3°C for the best in food preservation.
- ▶ Exterior - stainless steel front, top and ends. GalFan coated steel back.
- ▶ Interior - NSF approved, clear coated aluminum liner. Stainless steel floor with coved corners.
- ▶ Adjustable, heavy duty PVC coated shelves.
- ▶ Foamed-in-place using a high density, environmentally friendly polyurethane insulation.



PLAN VIEW



ROUGH-IN DATA

Voltage: 220-240V/50Hz

Specifications subject to change without notice.
Chart dimensions rounded up to the next whole millimeter (inches rounded up to the next 1/8").

Model	Model Type	Doors/ Drawers	Shelves	Cabinet Dimensions (mm)			Net Volumes (litres)	EEC	EEI	24 hr/ Energy Consumption (kWh)	Annual Energy Consumption (kWh)	Crated Weight (kg)
				W	D †	H						
TUC-44-HC	Counter Chilled	1/0	2	1131	822	839	260	A	21,2	1,42	520	132

† Depth does not include 26 mm for rear bumpers.
Test Standard: EN16825 - Climate Class 5 (40°C, 40% relative humidity).